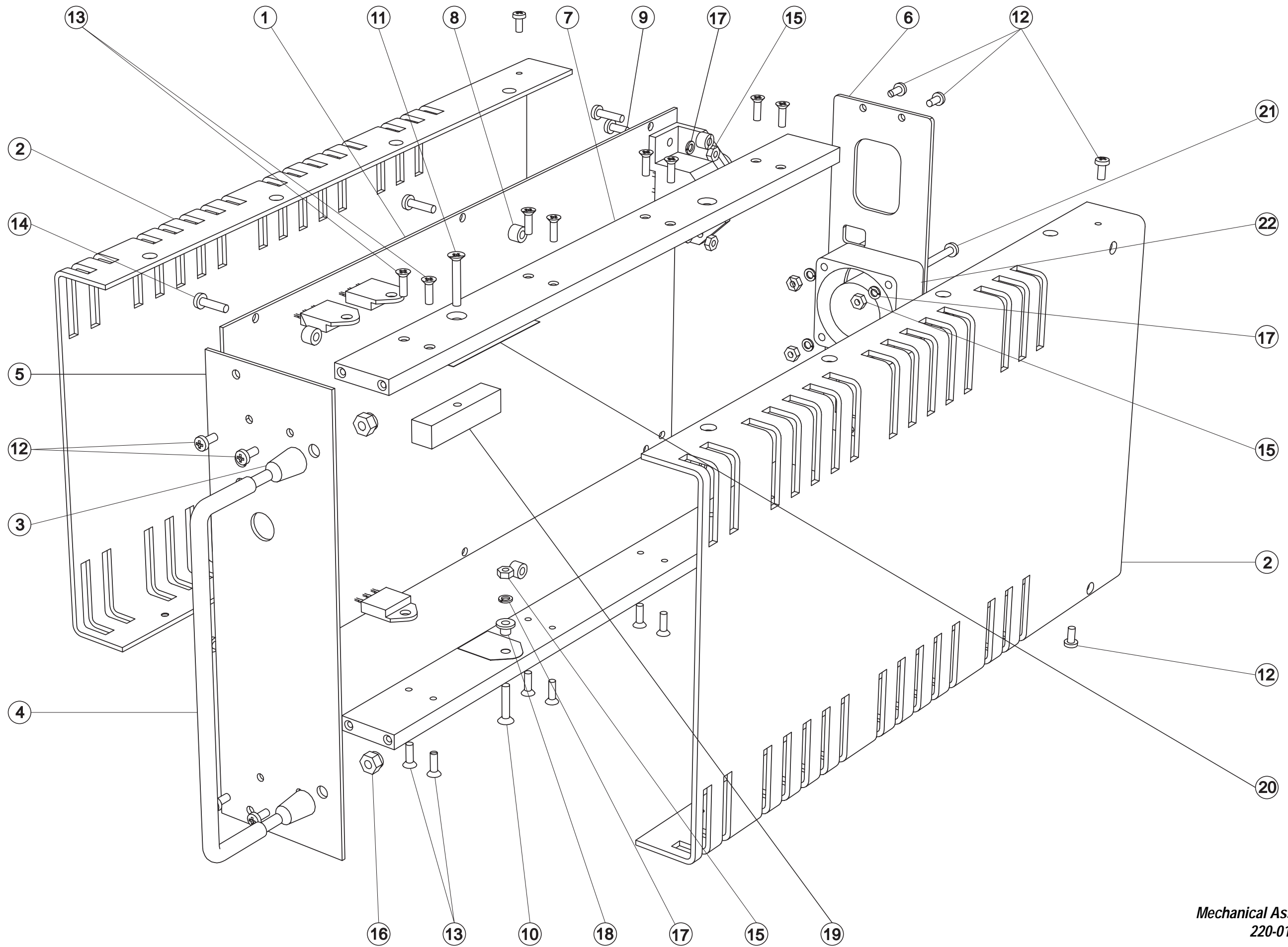
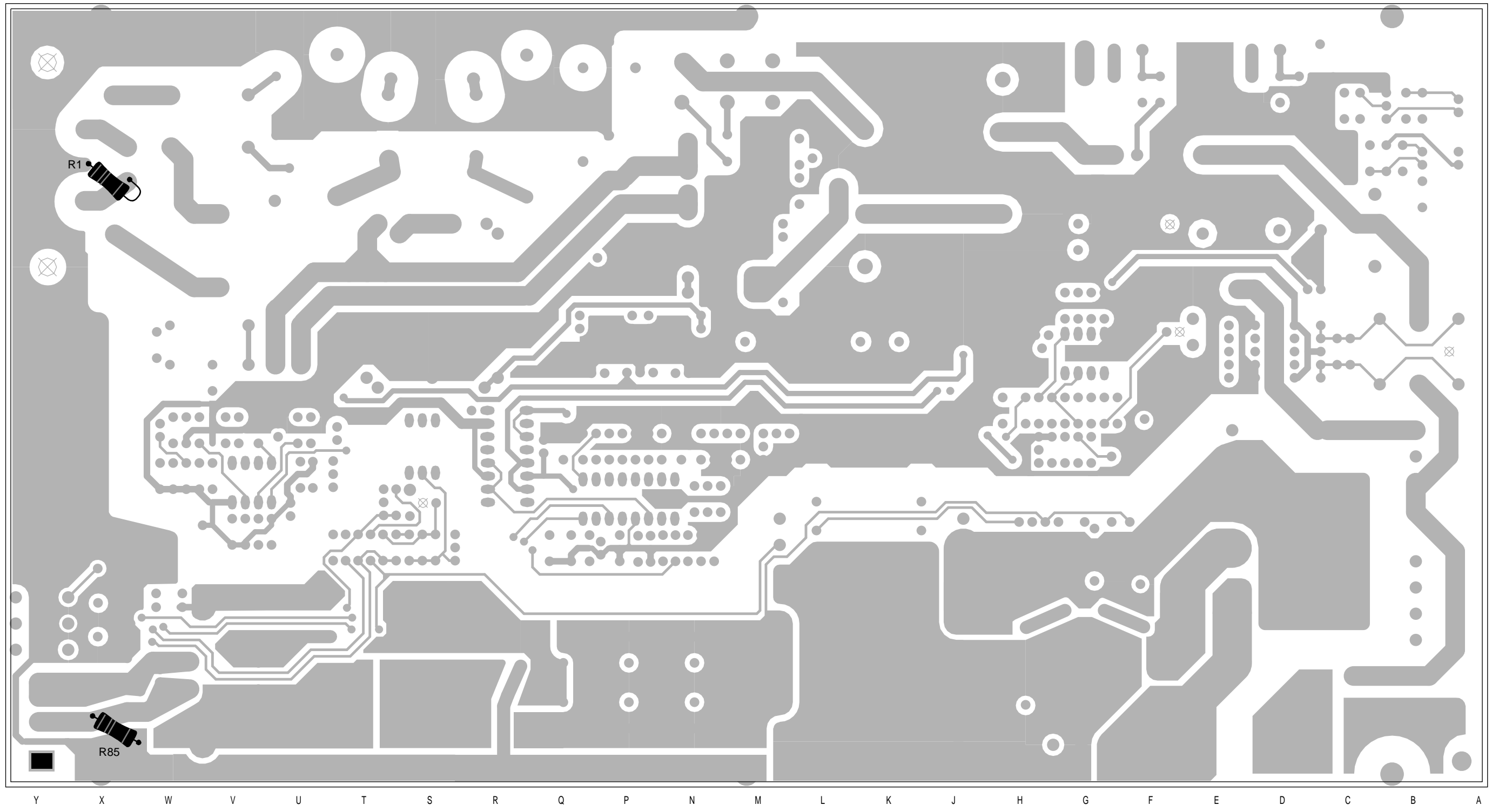


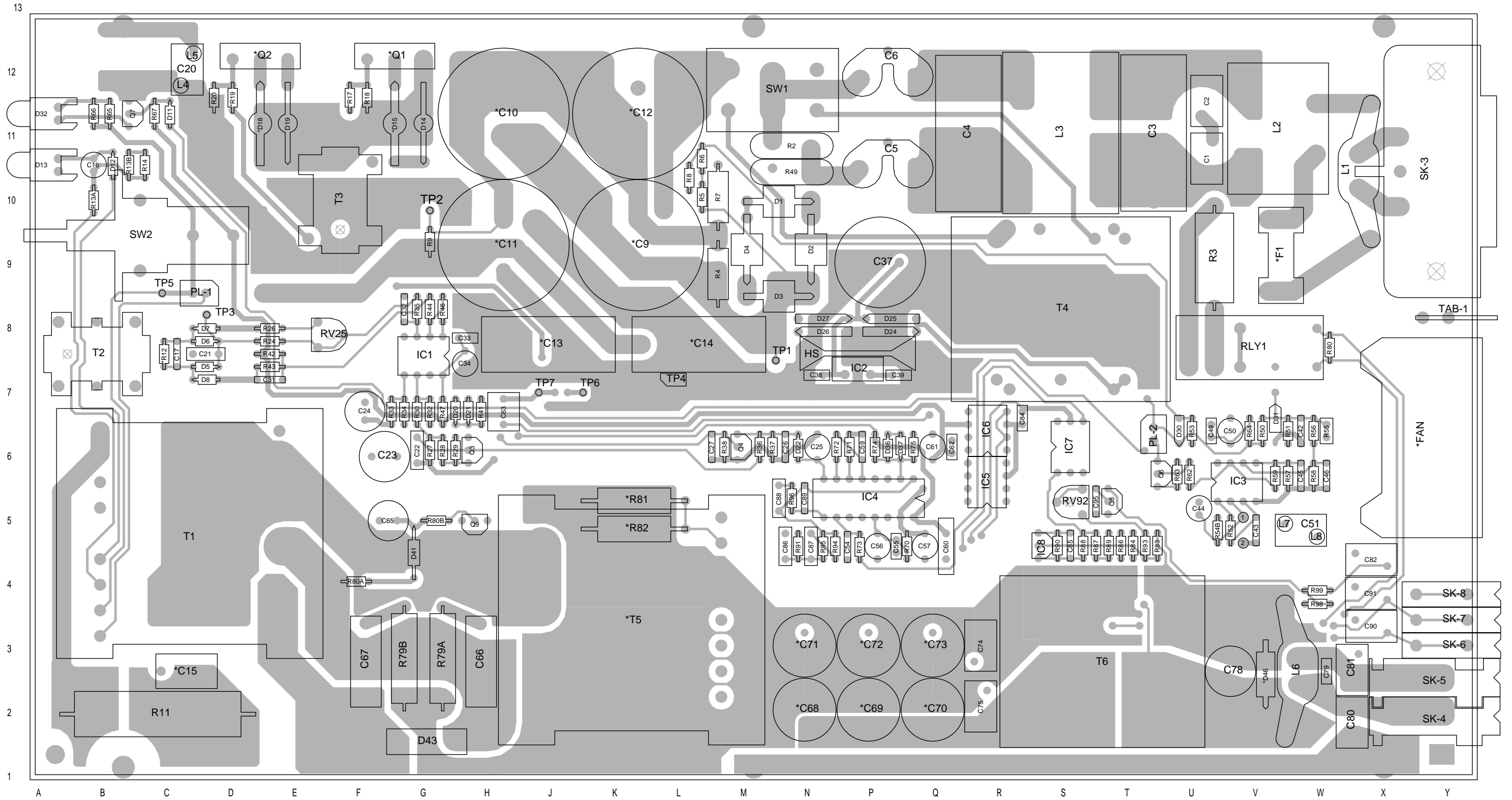
T807
Mechanical Assembly
220-01183-03



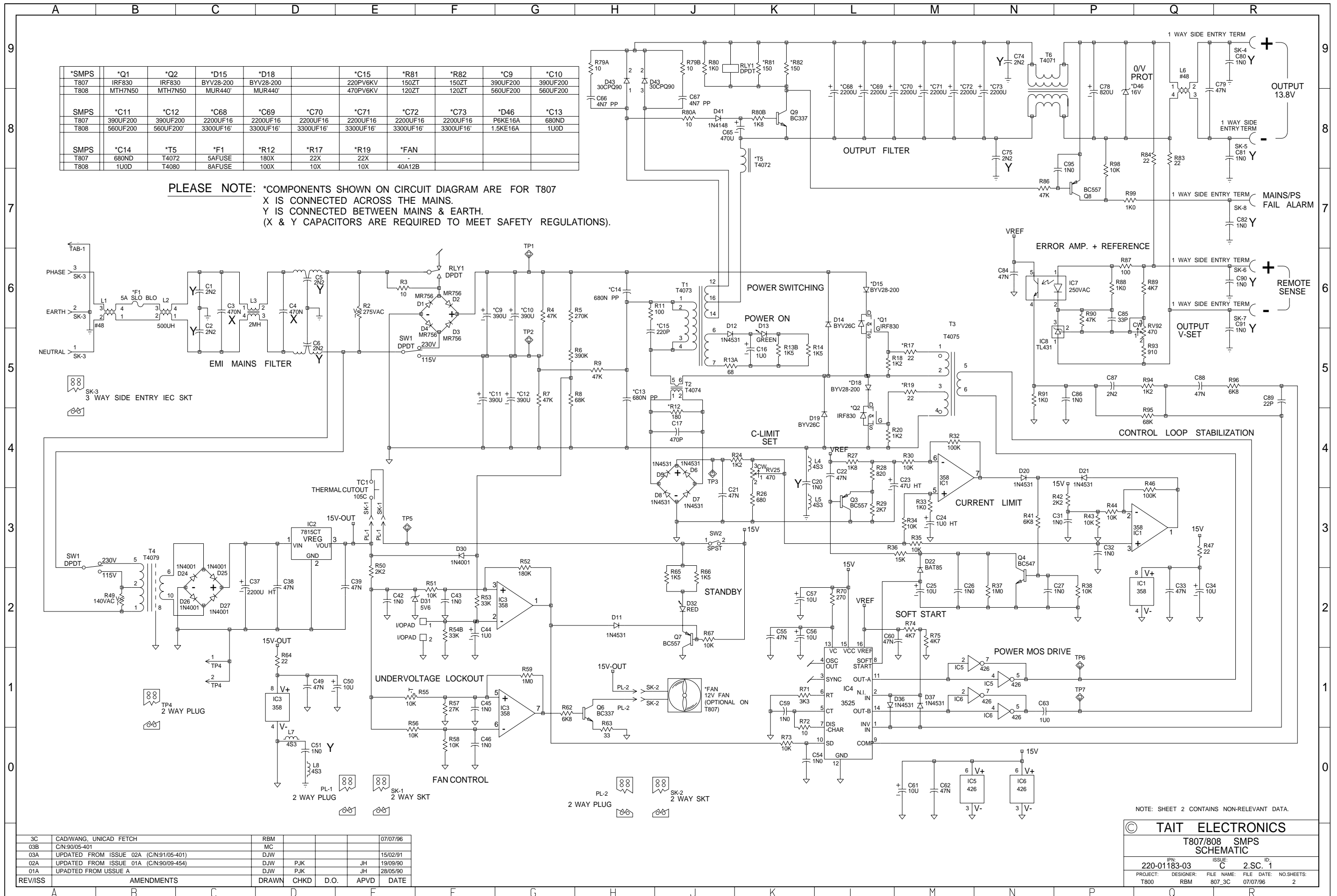
T808
Mechanical Assembly
220-01183-03



T807/808 PCB Layout
Bottom Side
220-01183-03



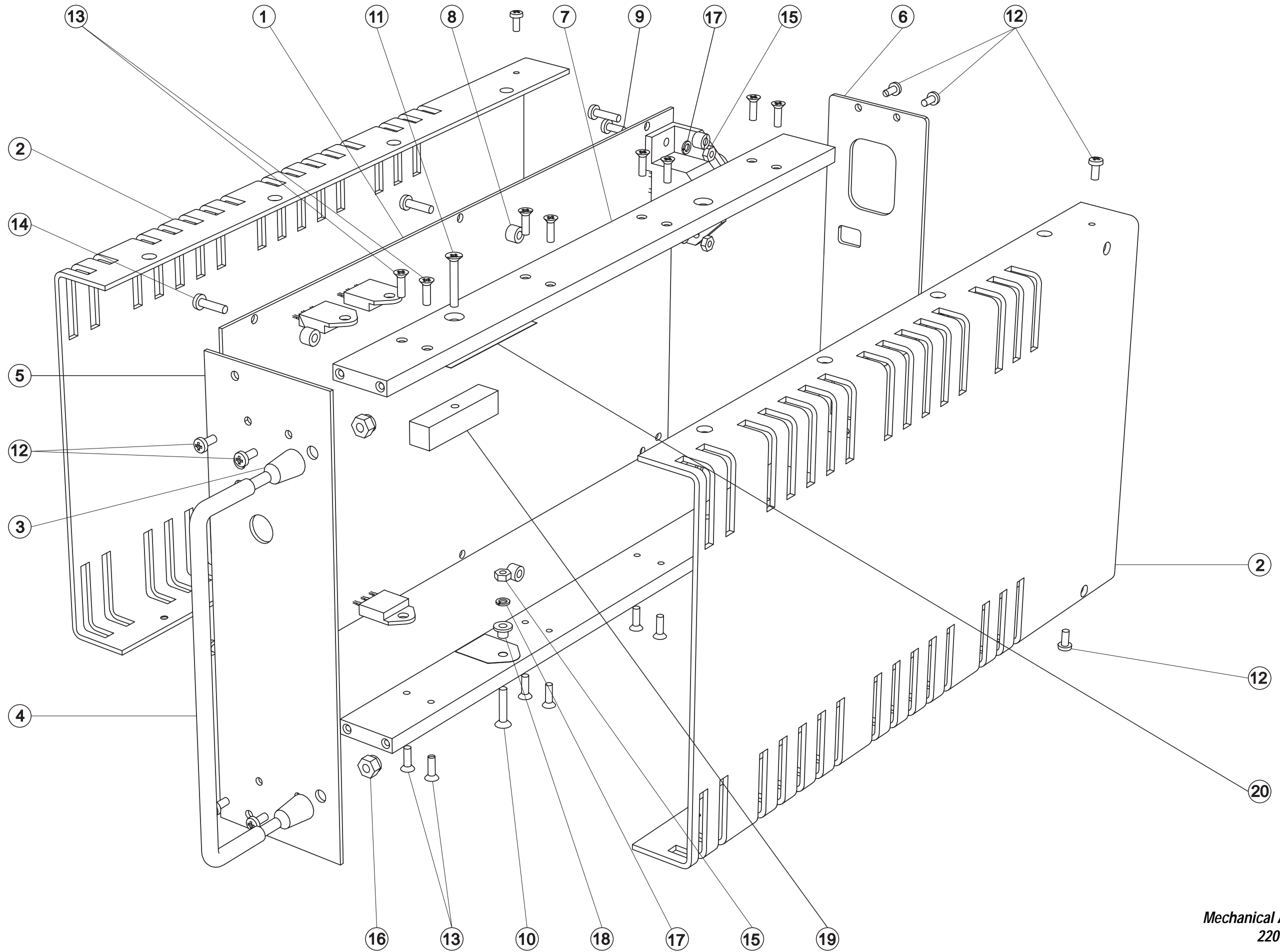
T807/808 PCB Layout
Top Side
220-01183-03



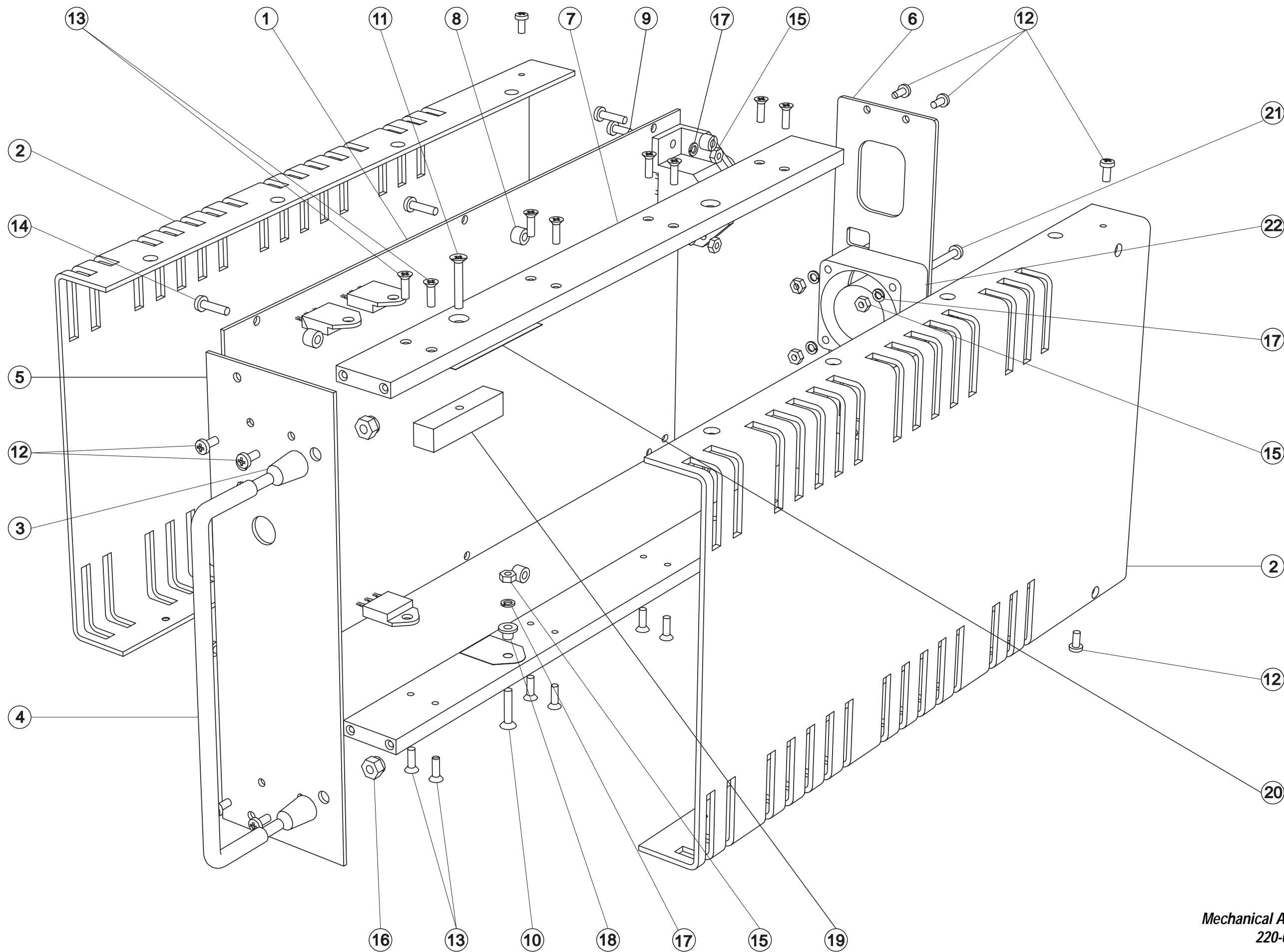
NOTE: SHEET 2 CONTAINS NON-RELEVANT DATA.

| | |
|-------------------------|---------------------|
| © TAIT ELECTRONICS | |
| T807/808 SMPS SCHEMATIC | |
| REV: 220-01183-03 | ISSUE: C 2.S.C. 1 |
| PROJECT: T800 | DESIGNER: RBM |
| FILE NAME: 807_3C | FILE DATE: 07/07/96 |
| NO. SHEETS: 2 | |

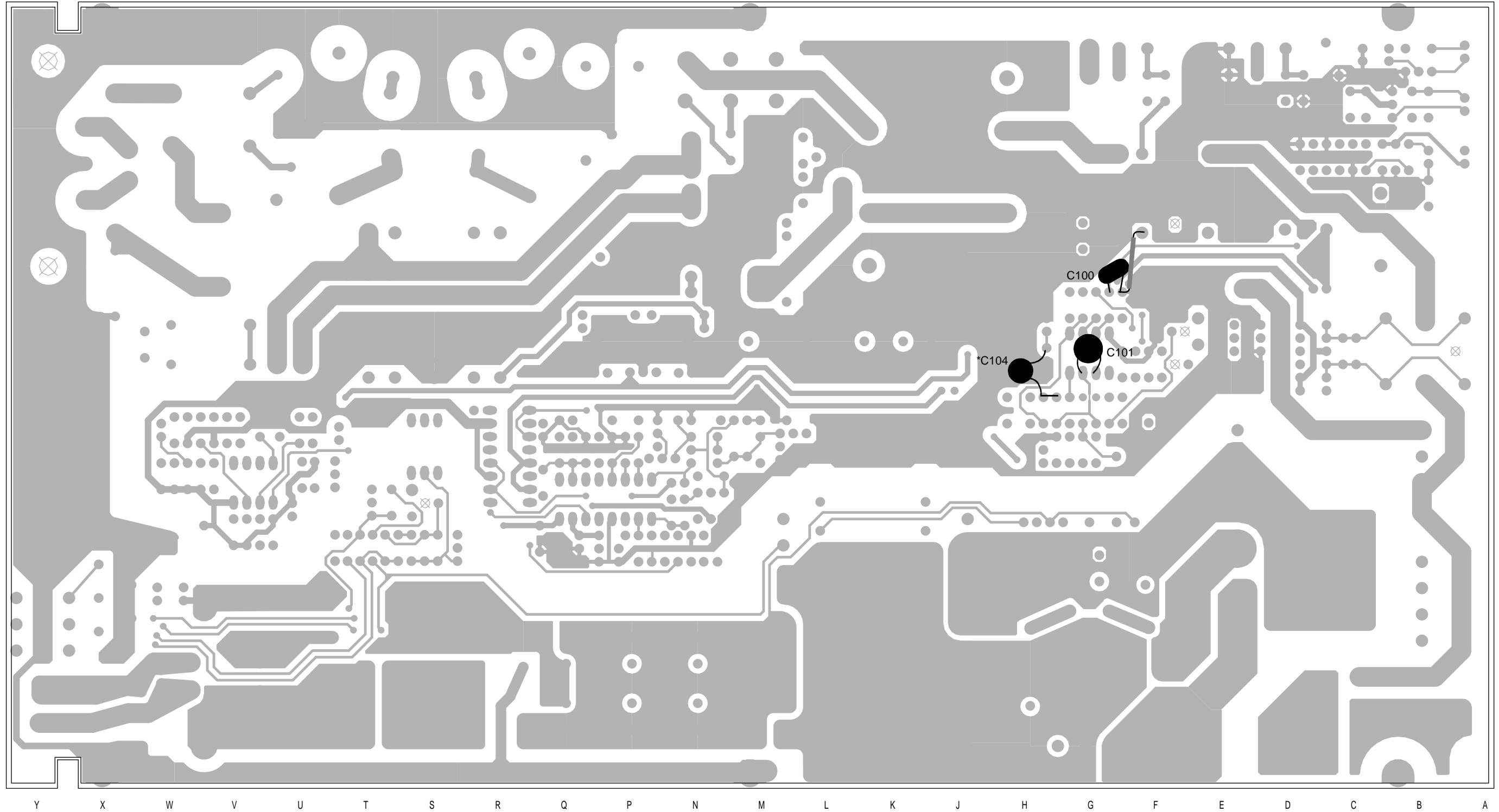
| | | | | | |
|---------|--|-------|------|------|-----------|
| 3C | CAD/WANG, UNICAD FETCH | RBM | | | 07/07/96 |
| 03B | C/N-90/05-401 | MC | | | |
| 03A | UPDATED FROM ISSUE 02A (C/N/91/05-401) | DJW | | | 15/02/91 |
| 02A | UPDATED FROM ISSUE 01A (C/N/90/09-454) | DJW | PJK | JH | 19/09/90 |
| 01A | UPADTED FROM USSUE A | DJW | PJK | JH | 28/05/90 |
| REV/ISS | AMENDMENTS | DRAWN | CHKD | D.O. | APVD DATE |



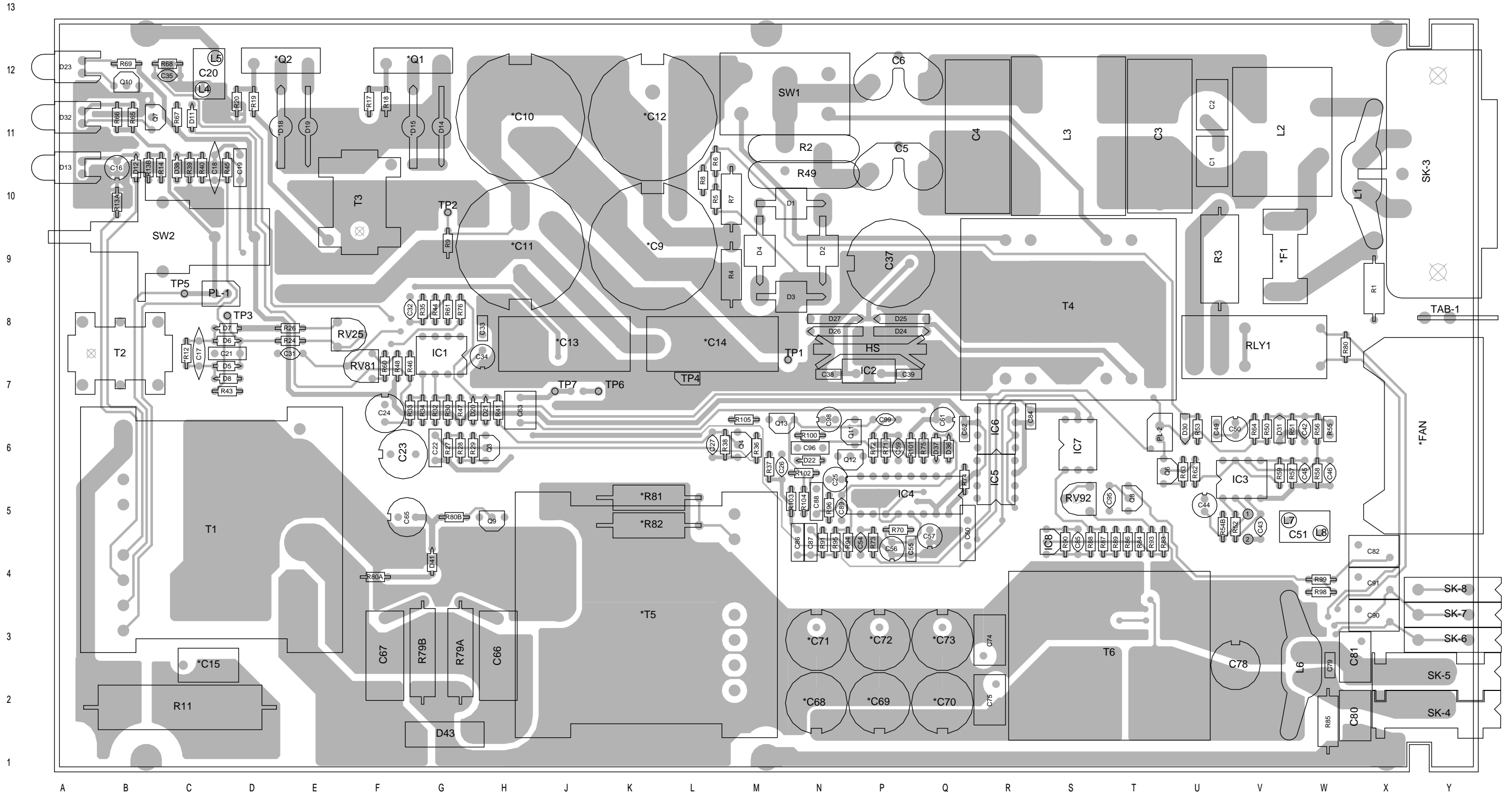
T807
Mechanical Assembly
220-01183-05



T808
Mechanical Assembly
220-01183-05



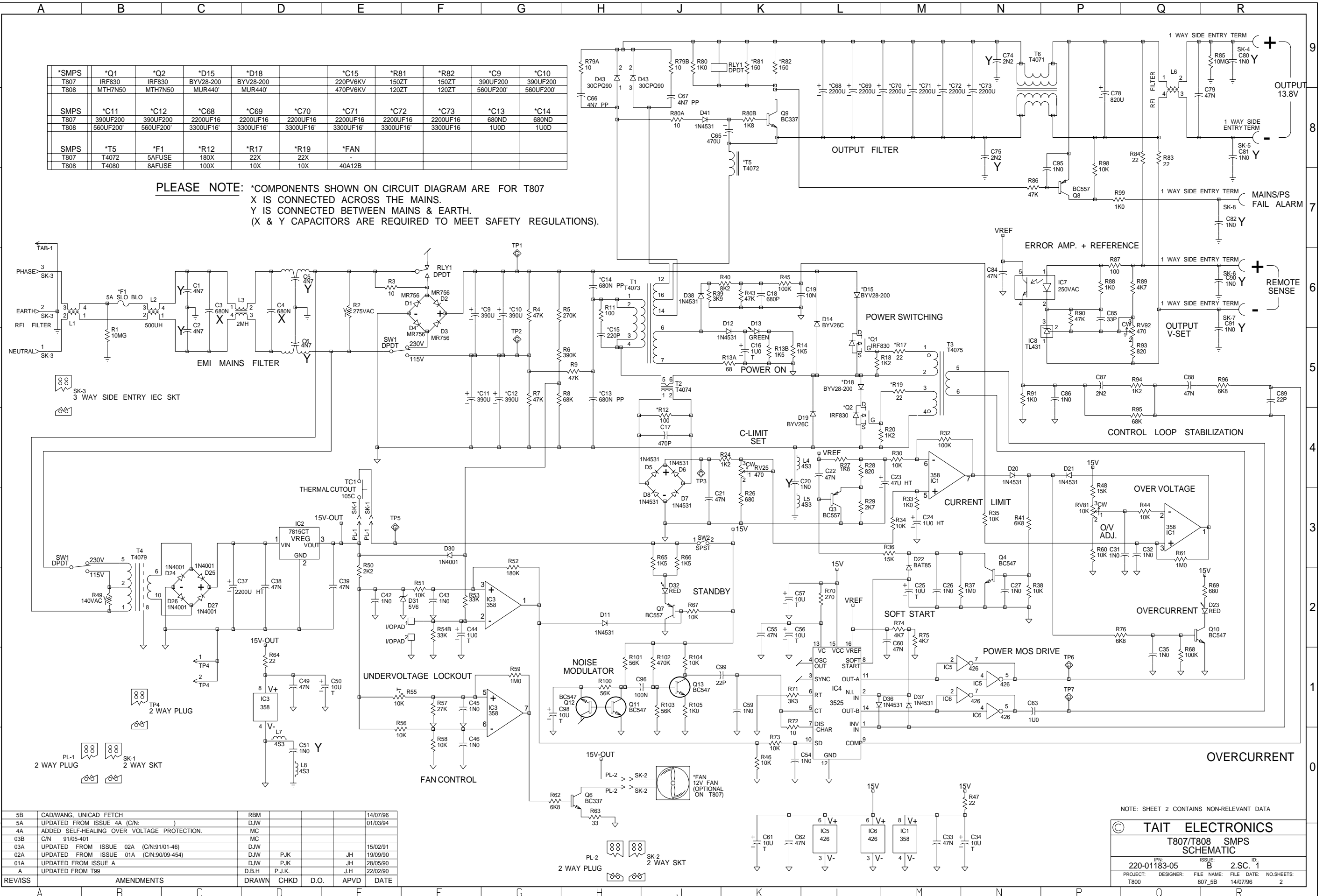
T807/808 PCB Layout
Bottom Side
220-01183-05



T807/808 PCB Layout
Top Side
220-01183-05

| | | | | | | | | | | |
|-------|----------|----------|-----------|-----------|----------|----------|----------|----------|----------|-------|
| *SMPS | *Q1 | *Q2 | *D15 | *D18 | *C15 | *R81 | *R82 | *C9 | *C10 | |
| T807 | IRF830 | IRF830 | BYV28-200 | BYV28-200 | 220PV6KV | 150ZT | 150ZT | 390UF200 | 390UF200 | |
| T808 | MTH7N50 | MTH7N50 | MUR440 | MUR440 | 470PV6KV | 120ZT | 120ZT | 560UF200 | 560UF200 | |
| SMPS | *C11 | *C12 | *C68 | *C69 | *C70 | *C71 | *C72 | *C73 | *C13 | *C14 |
| T807 | 390UF200 | 390UF200 | 2200UF16 | 2200UF16 | 2200UF16 | 2200UF16 | 2200UF16 | 2200UF16 | 680ND | 680ND |
| T808 | 560UF200 | 560UF200 | 3300UF16 | 3300UF16 | 3300UF16 | 3300UF16 | 3300UF16 | 3300UF16 | 1UOD | 1UOD |
| SMPS | *T5 | *F1 | *R12 | *R17 | *R19 | *FAN | | | | |
| T807 | T4072 | 5AFUSE | 180X | 22X | 22X | | | | | |
| T808 | T4080 | 8AFUSE | 100X | 10X | 10X | 40A12B | | | | |

PLEASE NOTE: *COMPONENTS SHOWN ON CIRCUIT DIAGRAM ARE FOR T807
 X IS CONNECTED ACROSS THE MAINS.
 Y IS CONNECTED BETWEEN MAINS & EARTH.
 (X & Y CAPACITORS ARE REQUIRED TO MEET SAFETY REGULATIONS).



| | | | | | | |
|---------|---|-------|--------|------|----------|------|
| 5B | CAD/WANG, UNICAD FETCH | RBM | | | 14/07/96 | |
| 5A | UPDATED FROM ISSUE 4A (C/N:) | DJW | | | 01/03/94 | |
| 4A | ADDED SELF-HEALING OVER VOLTAGE PROTECTION. | MC | | | | |
| 03B | C/N 91/05-401 | MC | | | | |
| 03A | UPDATED FROM ISSUE 02A (C/N:91/01-46) | DJW | | | 15/02/91 | |
| 02A | UPDATED FROM ISSUE 01A (C/N:90/09-454) | DJW | PJK | JH | 19/09/90 | |
| 01A | UPDATED FROM ISSUE A | DJW | PJK | JH | 28/05/90 | |
| A | UPDATED FROM T99 | D.B.H | P.J.K. | J.H | 22/02/90 | |
| REV/ISS | AMENDMENTS | DRAWN | CHKD | D.O. | APVD | DATE |

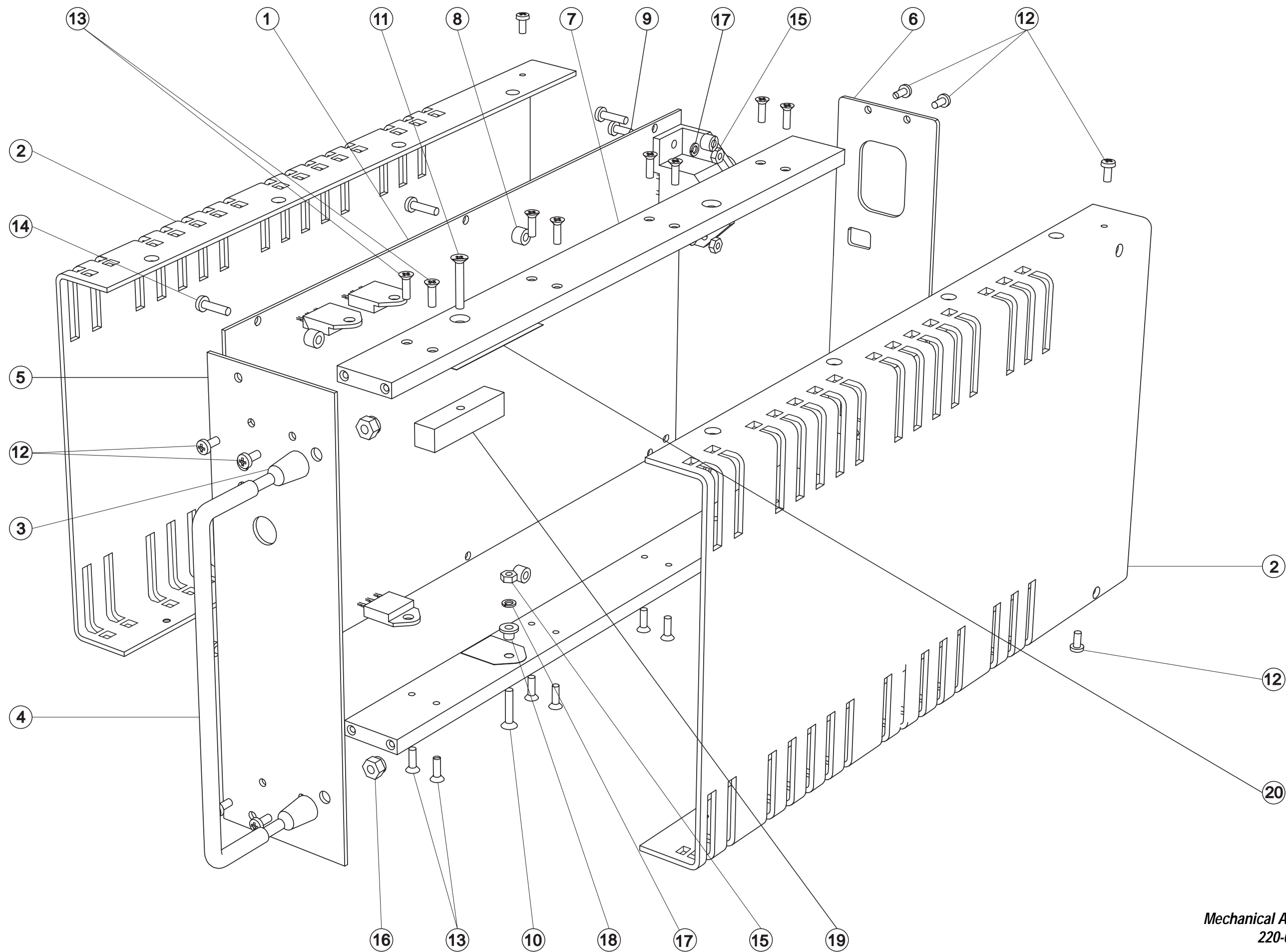
NOTE: SHEET 2 CONTAINS NON-RELEVANT DATA

TAIT ELECTRONICS

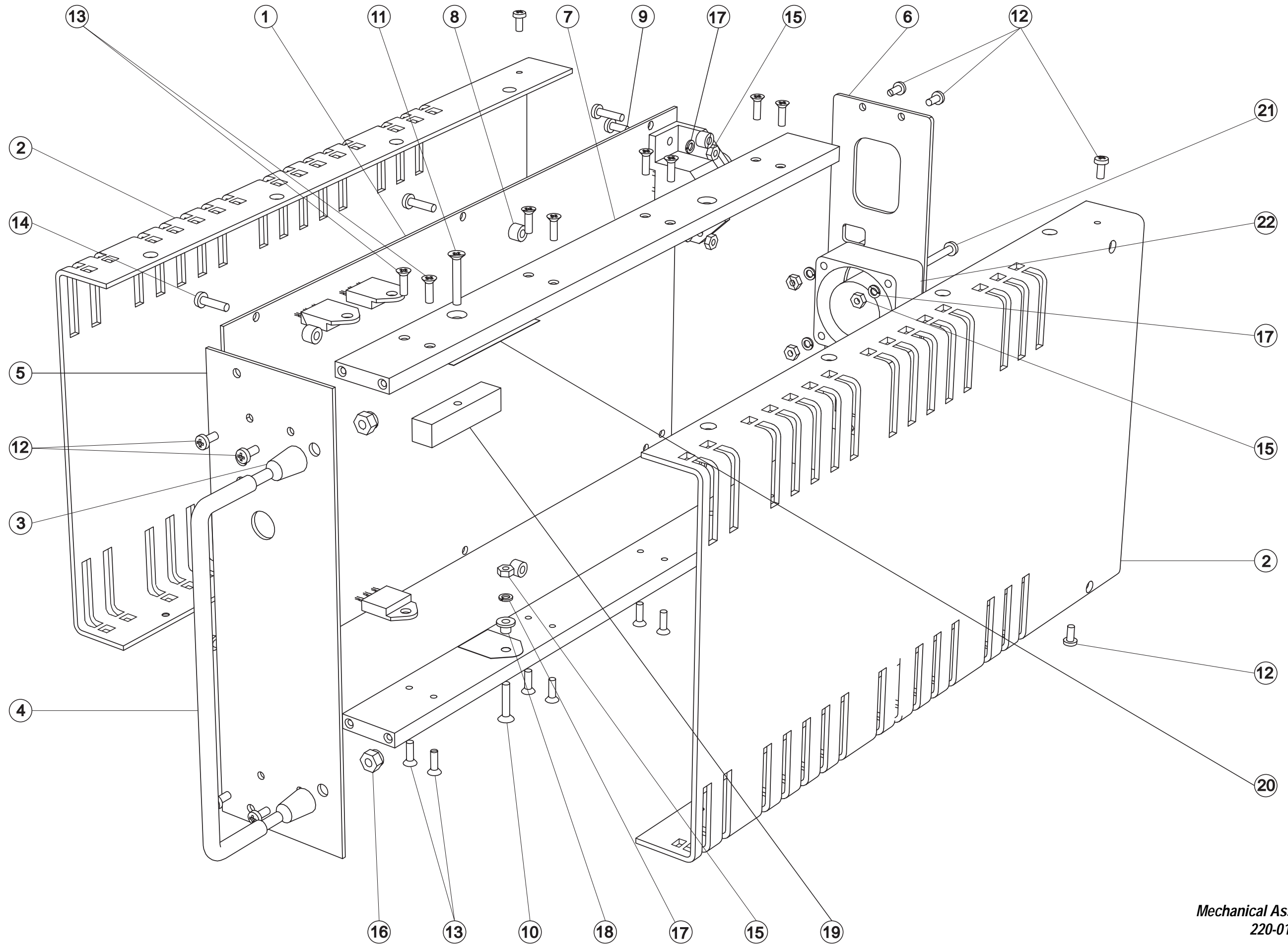
T807/T808 SMPS SCHEMATIC

ISSUE: B 2.S.C. 1

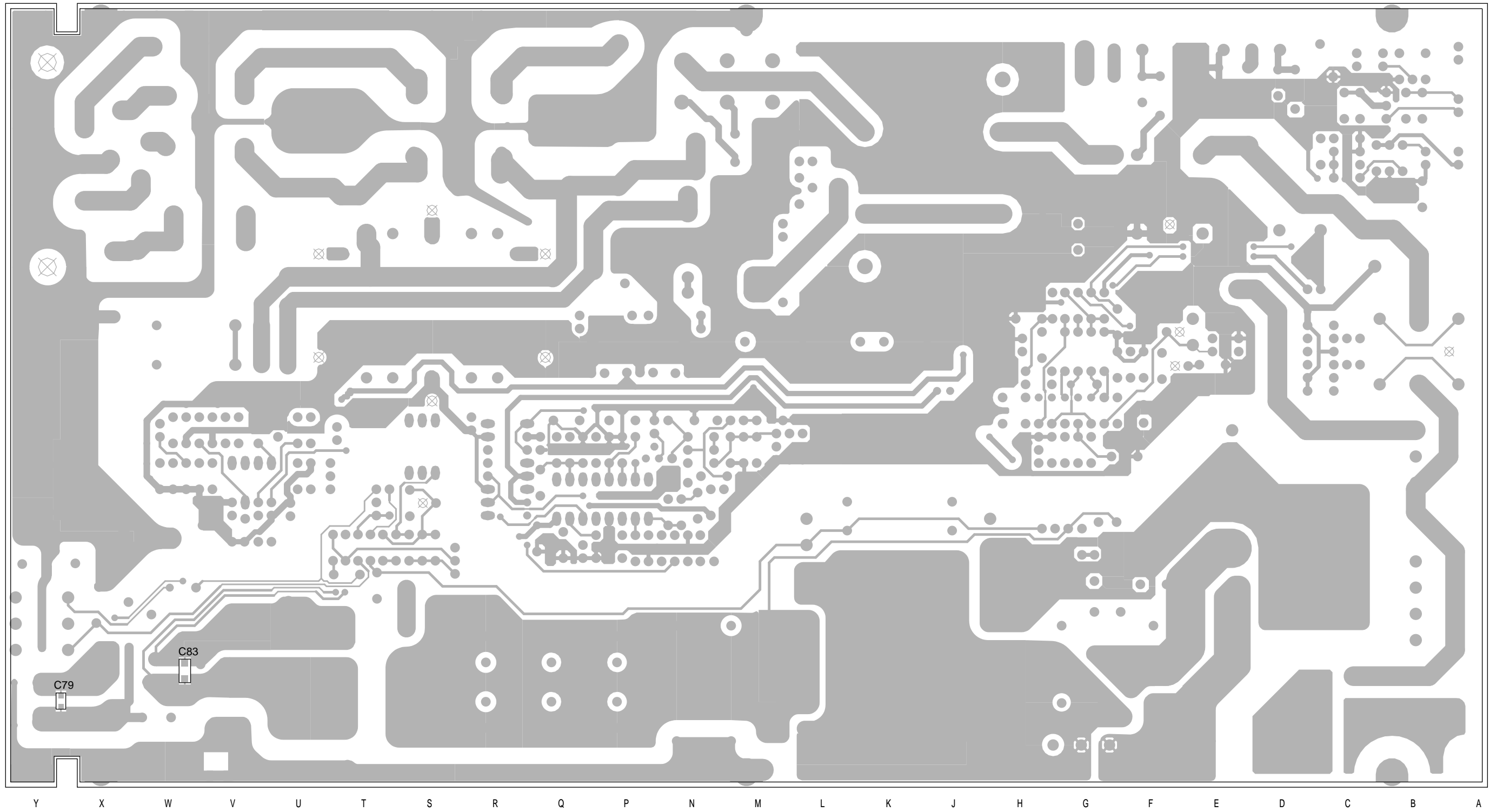
PROJECT: T800 DESIGNER: 807_SB FILE DATE: 14/07/96 NO.SHEETS: 2



T807
Mechanical Assembly
220-01183-07



T808
Mechanical Assembly
220-01183-07



T807/808 PCB Layout
Bottom Side
220-01183-07

13

12

11

10

9

8

7

6

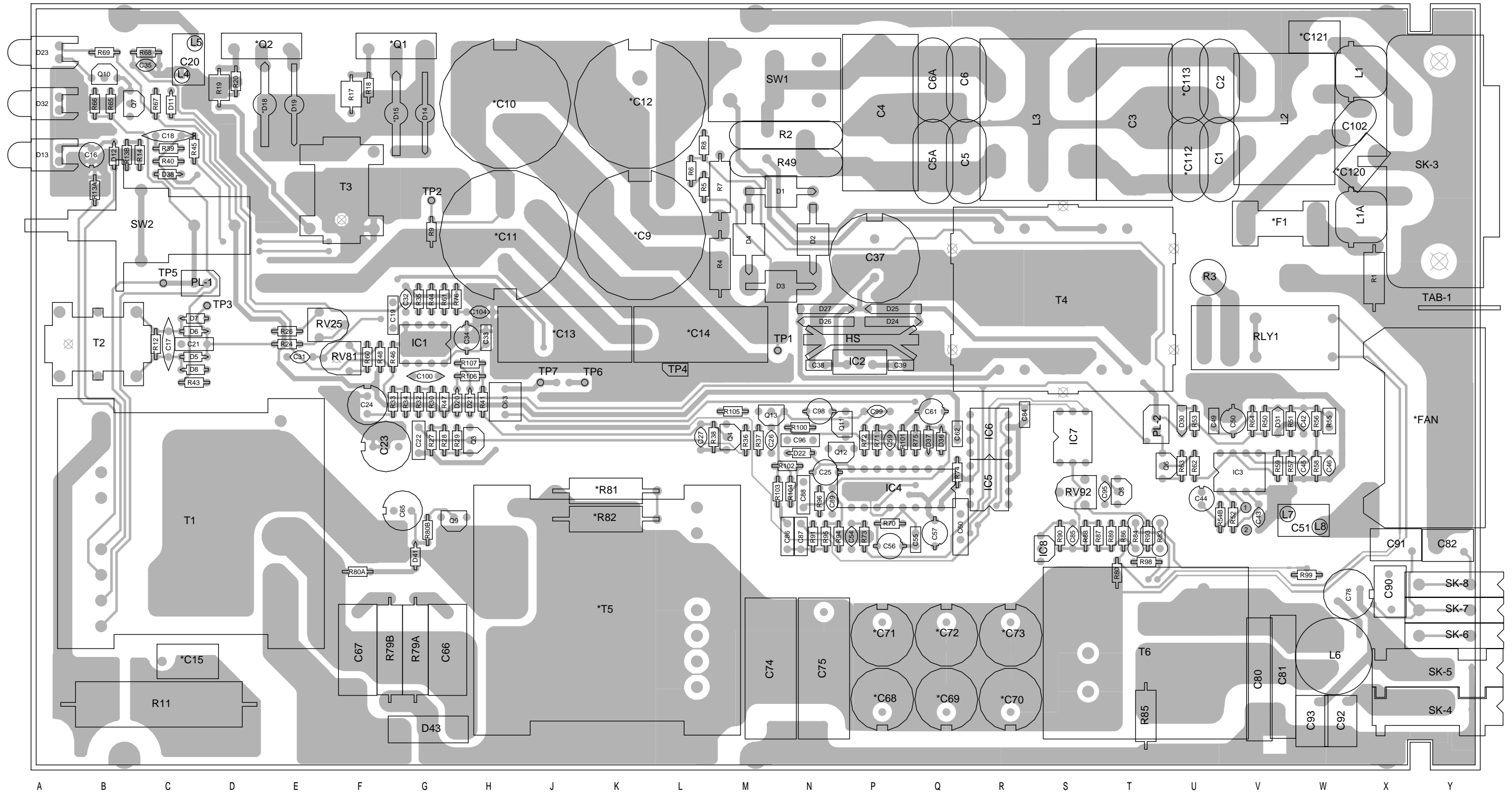
5

4

3

2

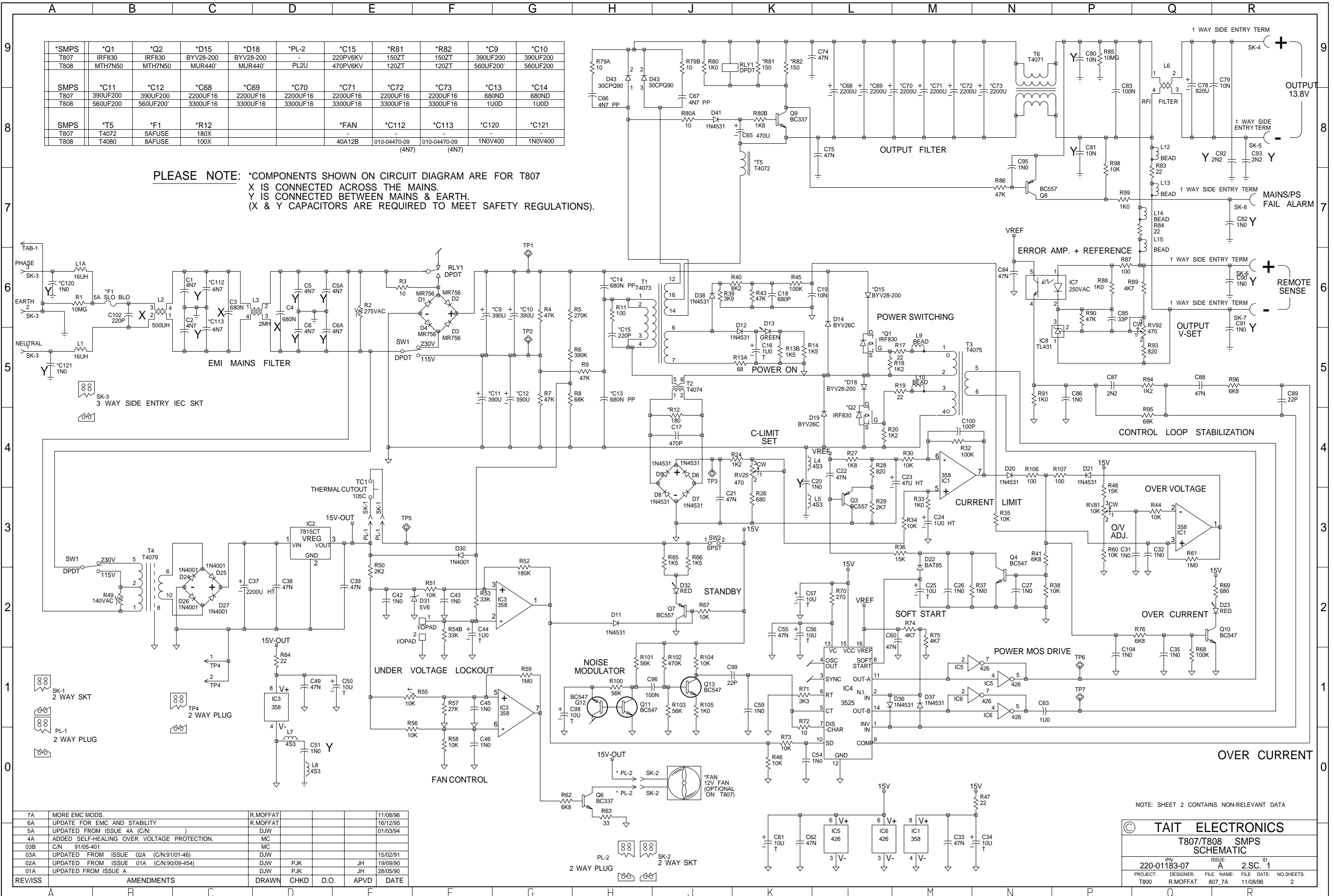
1



T807/808 PCB Layout
Top Side
220-01183-07

| | | | | | | | | | | |
|-------|----------|----------|-----------|-----------|----------|----------|-----------------------|-----------------------|----------|----------|
| *SMPS | *Q1 | *Q2 | *D15 | *D18 | *PL-2 | *C15 | *R81 | *R82 | *C9 | *C10 |
| T807 | IRF830 | IRF830 | BYV28-200 | BYV28-200 | - | 220PV6KV | 150ZT | 150ZT | 390UF200 | 390UF200 |
| T808 | MTH7N50 | MTH7N50 | MUR440 | MUR440 | PL2U | 470PV6KV | 120ZT | 120ZT | 560UF200 | 560UF200 |
| SMPS | *C11 | *C12 | *C68 | *C69 | *C70 | *C71 | *C72 | *C73 | *C13 | *C14 |
| T807 | 390UF200 | 390UF200 | 2200UF16 | 2200UF16 | 2200UF16 | 2200UF16 | 2200UF16 | 2200UF16 | 680ND | 680ND |
| T808 | 560UF200 | 560UF200 | 3300UF16 | 3300UF16 | 3300UF16 | 3300UF16 | 3300UF16 | 3300UF16 | 1UOD | 1UOD |
| SMPS | *T5 | *F1 | *R12 | | | *FAN | *C112 | *C113 | *C120 | *C121 |
| T807 | T4072 | 5AFUSE | 180X | | | | | | | |
| T808 | T4080 | 8AFUSE | 100X | | | 40A12B | 010-04470-09 (4N7) | 010-04470-09 (4N7) | 1N0V400 | 1N0V400 |

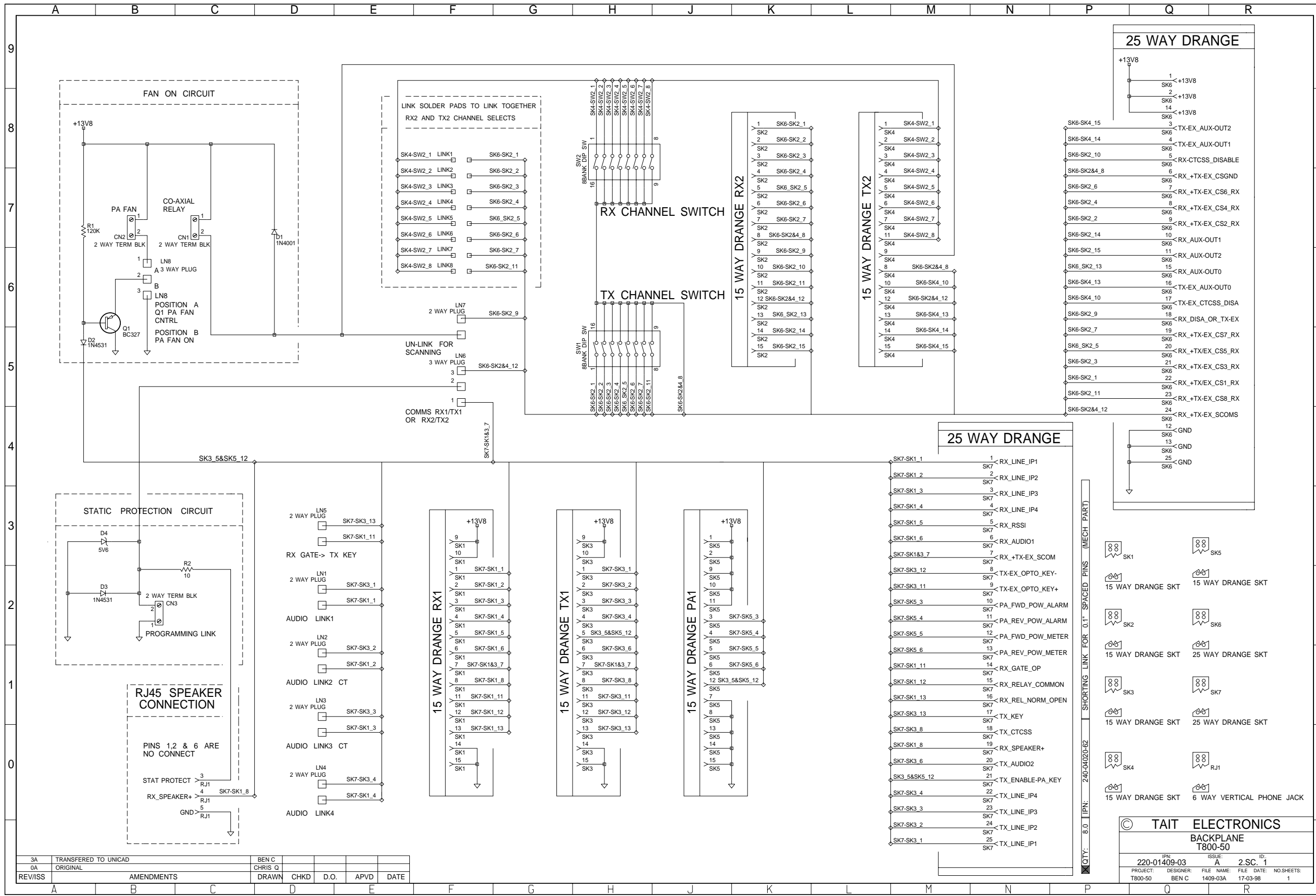
PLEASE NOTE: *COMPONENTS SHOWN ON CIRCUIT DIAGRAM ARE FOR T807
 X IS CONNECTED ACROSS THE MAINS.
 Y IS CONNECTED BETWEEN MAINS & EARTH.
 (X & Y CAPACITORS ARE REQUIRED TO MEET SAFETY REGULATIONS).



| | | | | |
|---------|---|----------|------|----------------|
| 7A | MORE EMC MODS. | R.MOFFAT | | 11/08/96 |
| 6A | UPDATE FOR EMC AND STABILITY | R.MOFFAT | | 16/12/95 |
| 5A | UPDATED FROM ISSUE 4A (C/N:) | DJW | | 01/03/94 |
| 4A | ADDED SELF-HEALING OVER VOLTAGE PROTECTION. | MC | | |
| 03B | C/N 91/05-401 | MC | | |
| 03A | UPDATED FROM ISSUE 02A (C/N:91/01-46) | DJW | | 15/02/91 |
| 02A | UPDATED FROM ISSUE 01A (C/N:90/09-454) | DJW | PJK | 19/09/90 |
| 01A | UPDATED FROM ISSUE A | DJW | PJK | 28/05/90 |
| REV/ISS | AMENDMENTS | DRAWN | CHKD | D.O. APVD DATE |

NOTE: SHEET 2 CONTAINS NON-RELEVANT DATA

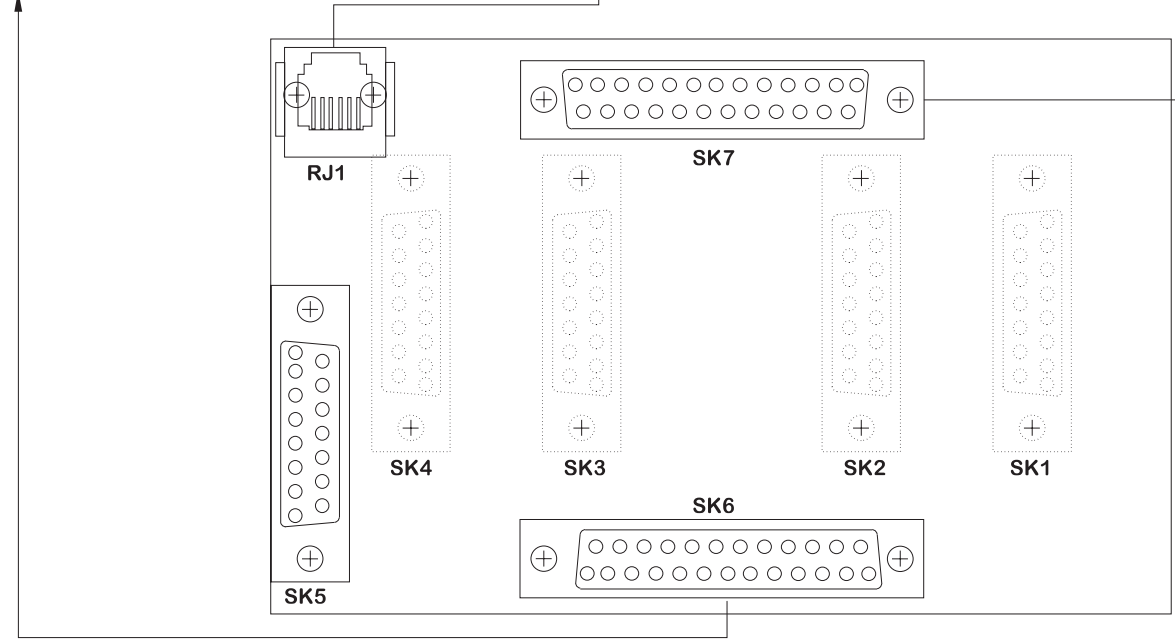
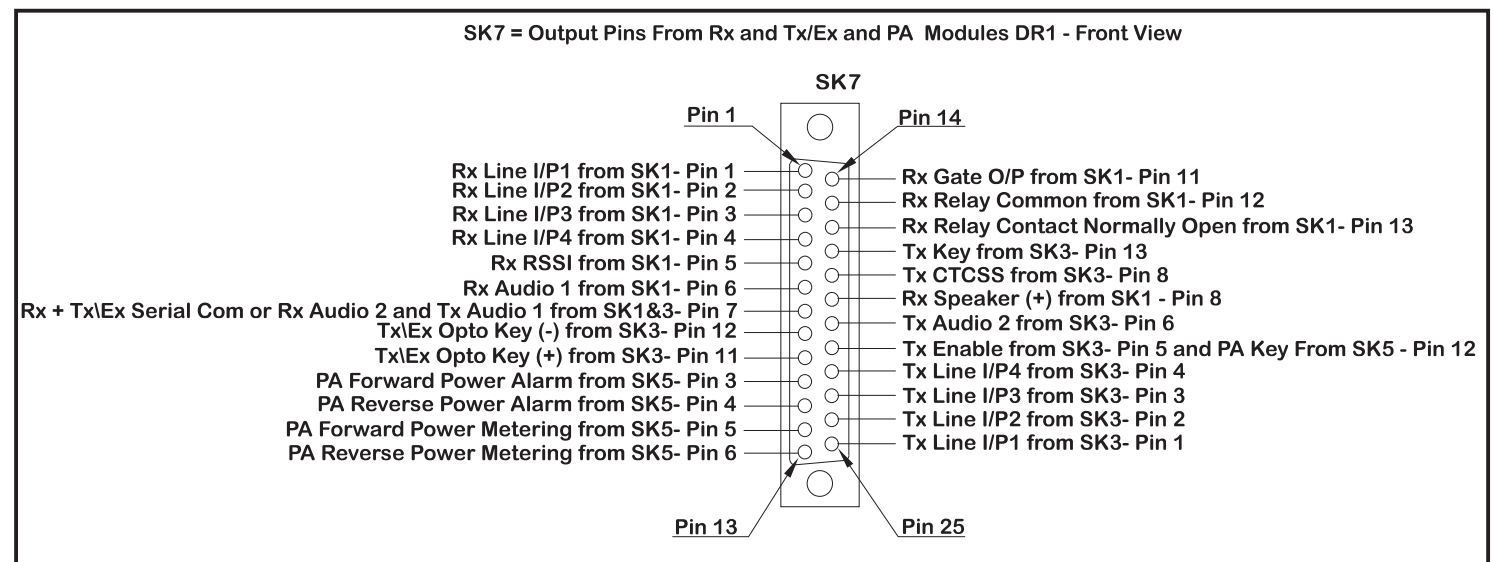
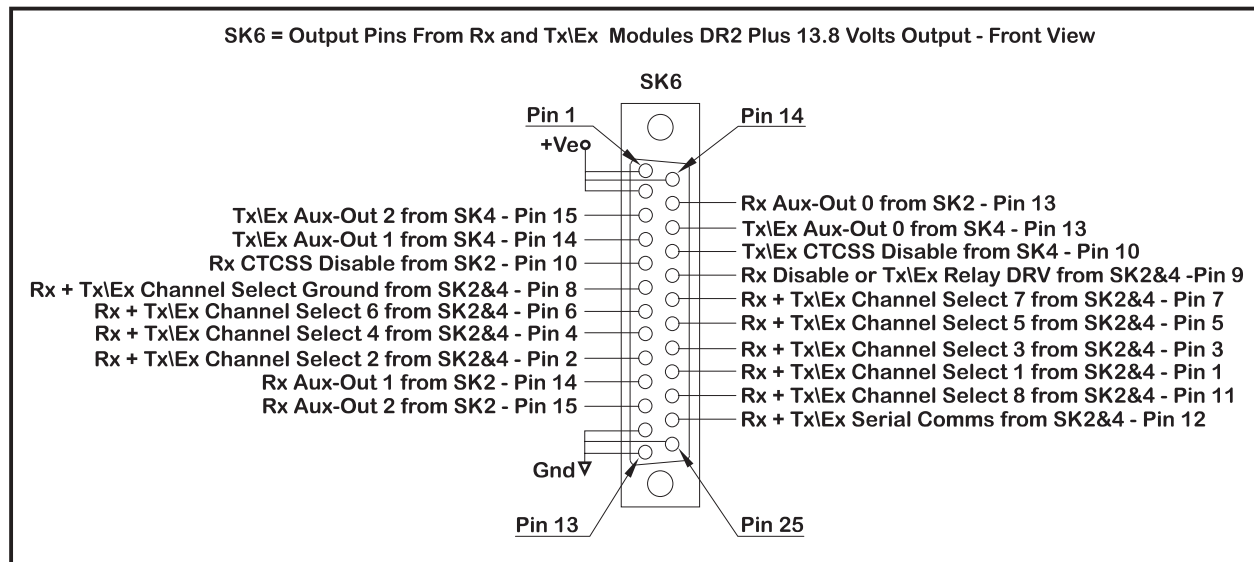
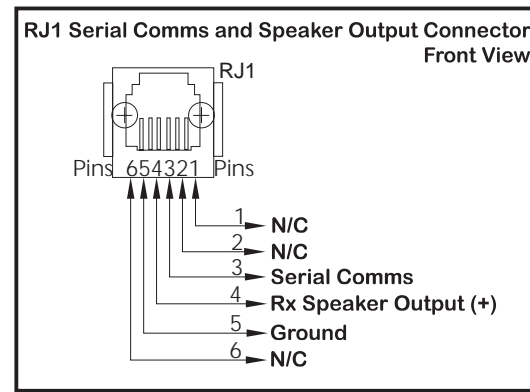
TAIT ELECTRONICS
 T807/T808 SMPS SCHEMATIC
 PROJECT: T800 DESIGNER: R.MOFFAT FILE NAME: 807_7A DATE: 11/08/96 NO.SHEETS: 2
 ISSUE: A 2.SC. 1

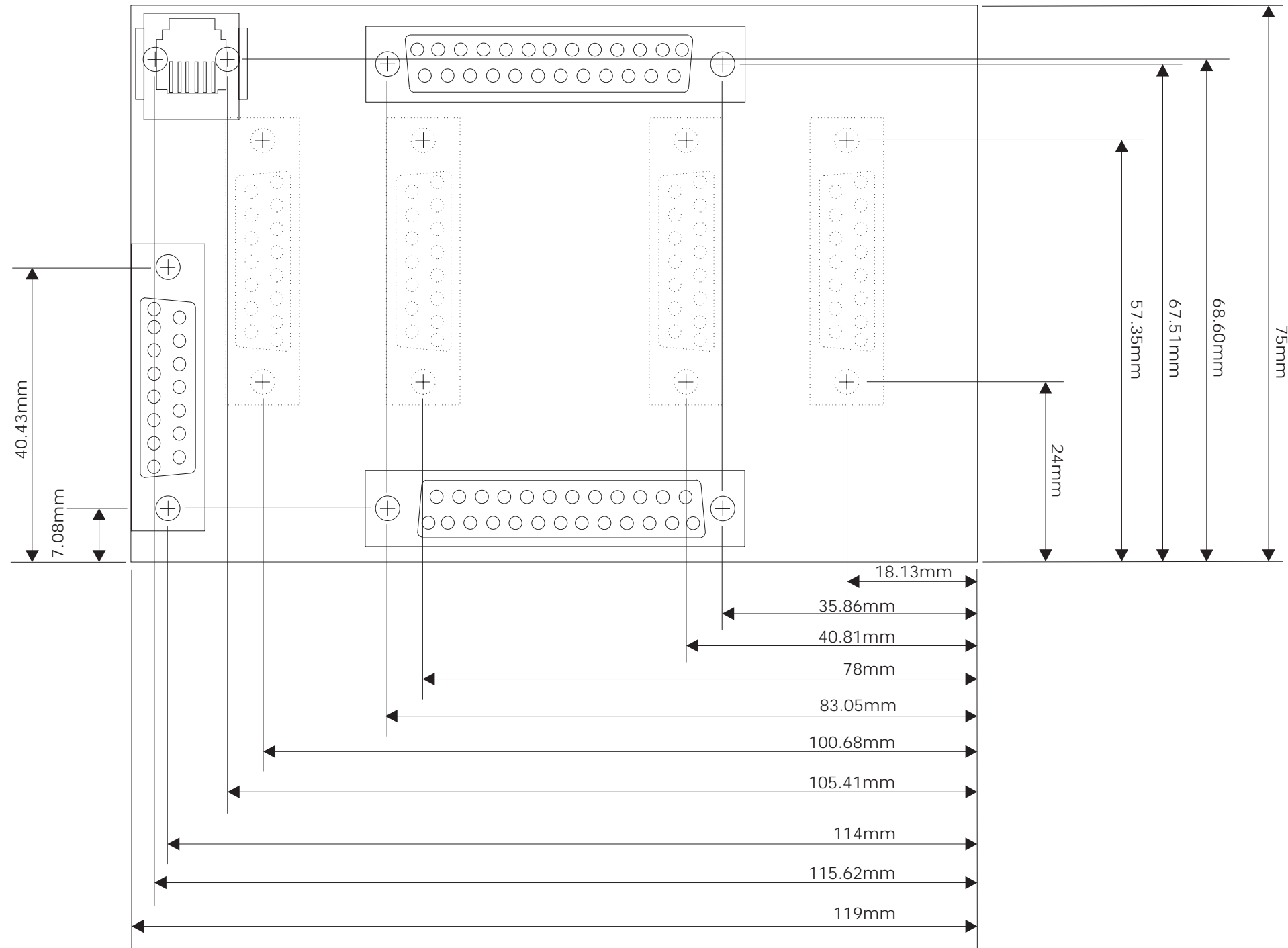


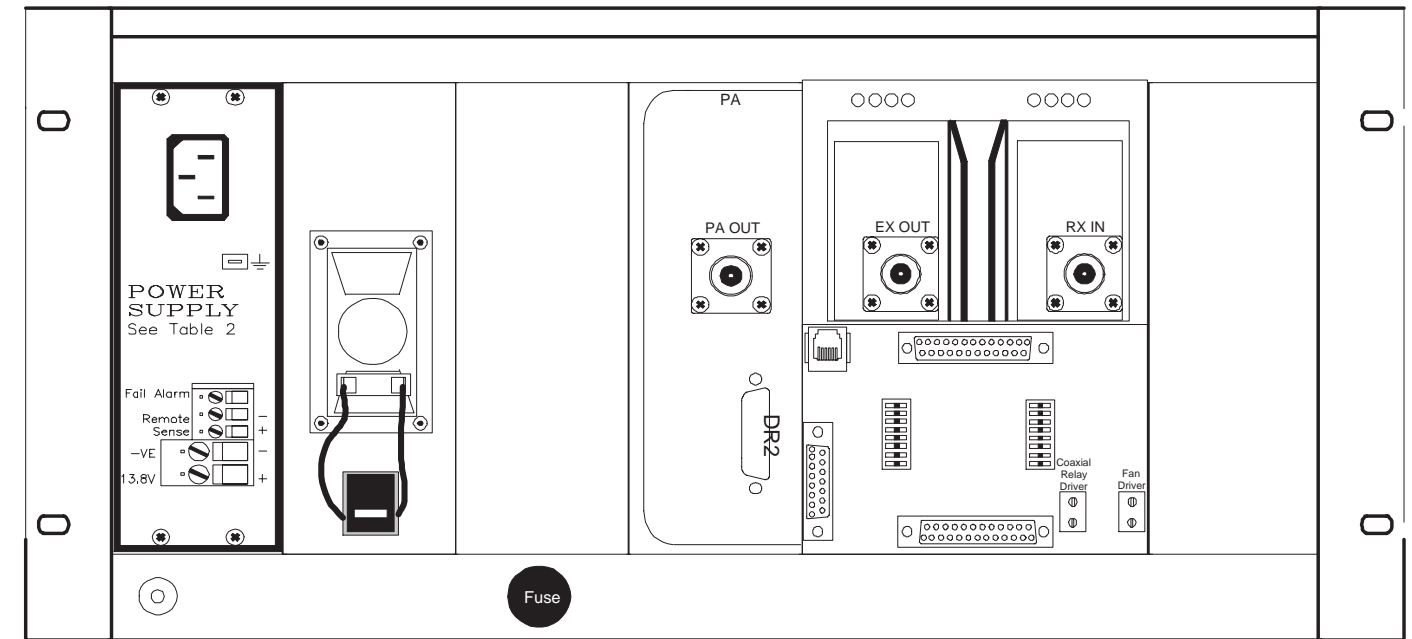
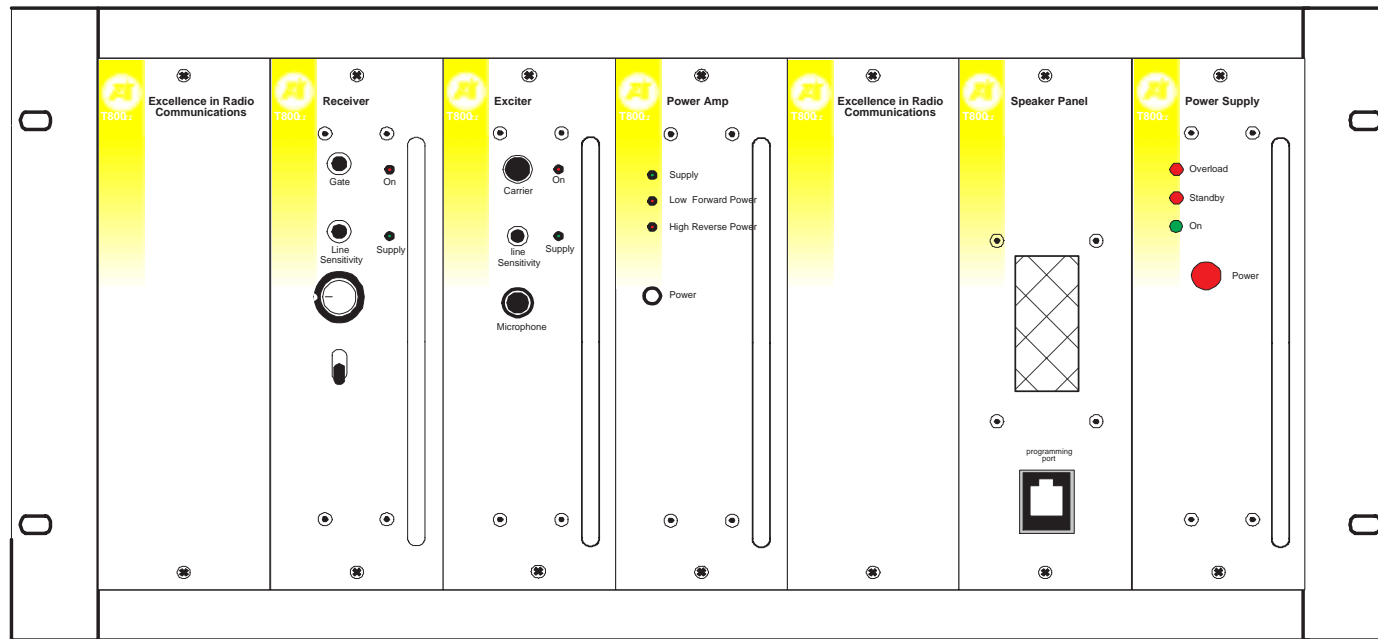
| | | | | | | |
|---------|-----------------------|---------|------|------|------|------|
| 3A | TRANSFERRED TO UNICAD | BEN C | | | | |
| 0A | ORIGINAL | CHRIS Q | | | | |
| REV/ISS | AMENDMENTS | DRAWN | CHKD | D.O. | APVD | DATE |

© TAIT ELECTRONICS
 BACKPLANE T800-50
 IPN: 220-01409-03 ISSUE: A 2.S.C. 1
 PROJECT: T800-50 DESIGNER: BEN C FILE NAME: 1409-03A FILE DATE: 17-03-98 NO.SHEETS: 1

Backplane PCB Circuit Diagram





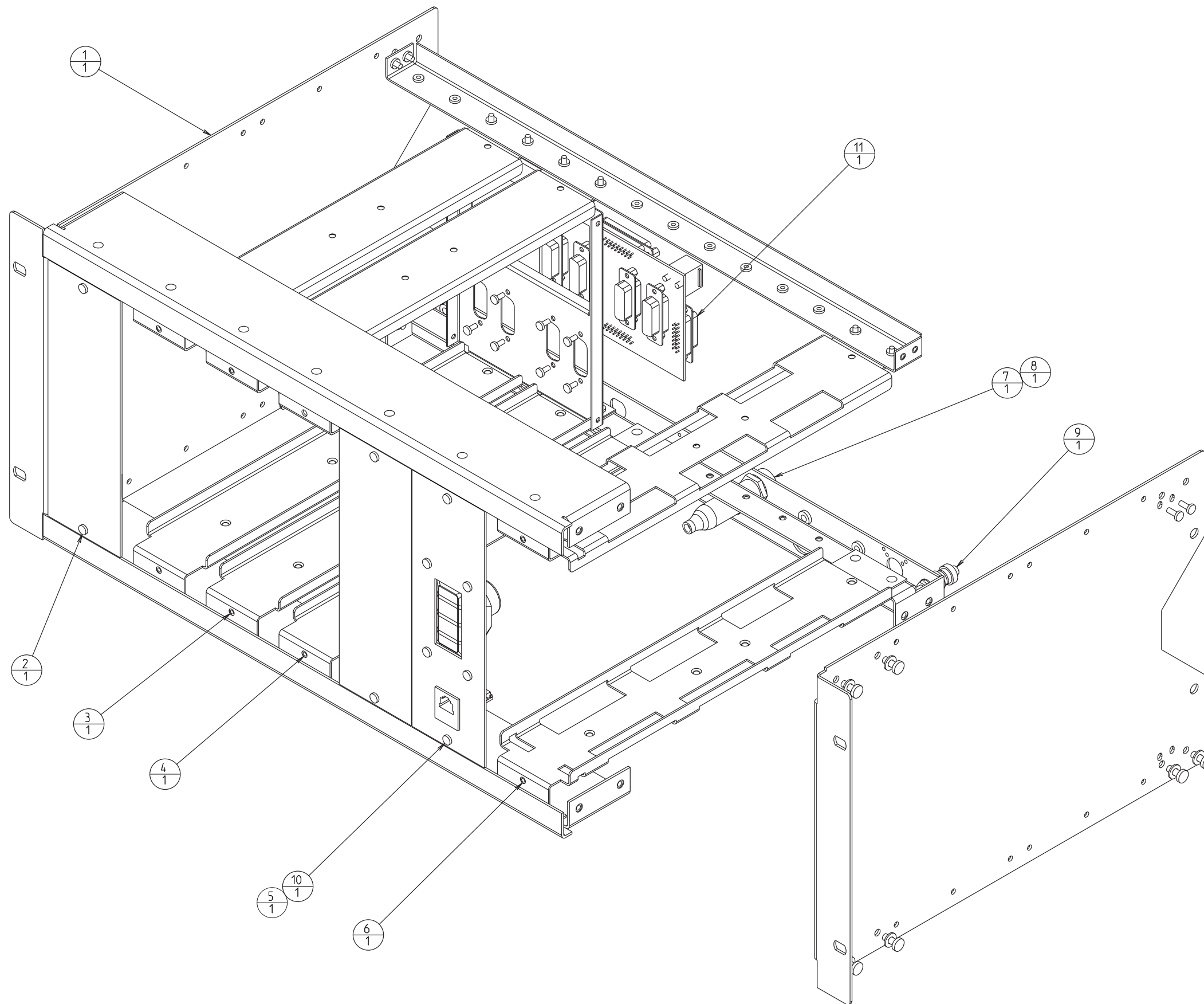


T800-22-0000 Standard

- x2 Blank Front Panels
- x1 T800-15-0000 Speaker Programming Panel
- x1 Fuseholder
- x1 Earthing Terminal
- x2 Channel Selection Dip Switches
- x1 Coaxial Relay Driver
- x1 Coolant Fan Driver

T800-22-0000 Options

- 316-06615-00 Blank Front Panel
- T800-01-0000 T800 Standard Programming Kit with PGM800WIN and Lead
- T800-15-0001 Speaker Front Panel
- T800-13-0000 Extender Rail Kit with x2 D-ranges Fitted.
- T800-19-0000 Fan Kit - Rail Mounted (As Series)
- T800-19-0010 Fan Kit - Guide Mounted
- T800-60-0000 Personality PCB for Monitor or Channel Selection Panels
- T818-01-0000 Rx/Tx Metering and Monitor Unit
- T800-43-0000 T300/T1500 Guide Kit for (T818-01-0000)
- T991-06 Cabinet 6U, with Door and Lock
- T004-72 Coaxial Relay
- TA087-01 Channel Selection Panel, Programmable 1 to 100 channels
- TA387-01 Channel Selection Panel, 1 to 10 Channels.



Key

The upper number is the component identification number which appears in the "Legend" column of the Mechanical & Miscellaneous Parts table shown below (and on each of the following drawings).

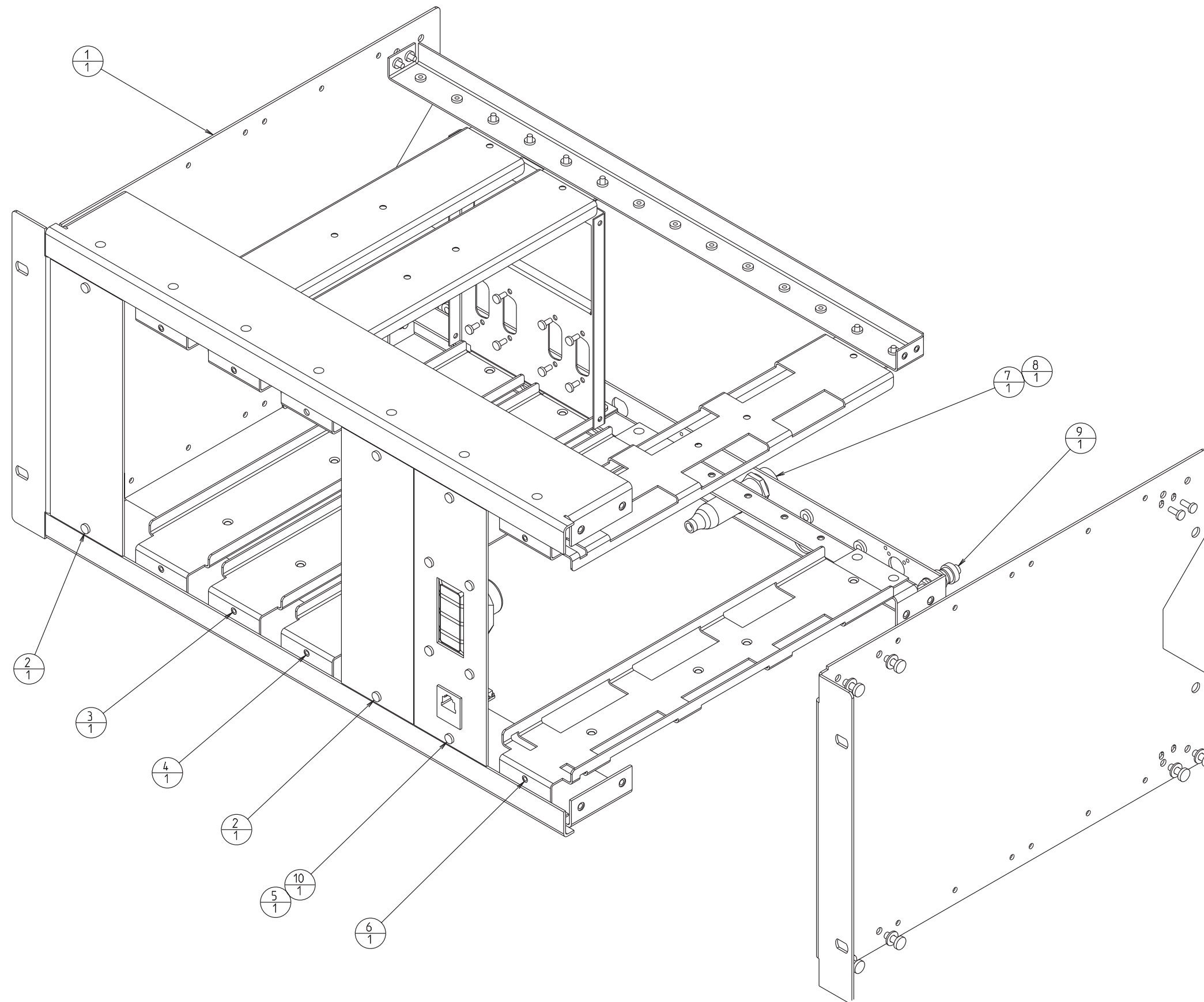
The lower number indicates how many of this component are used in this location or function.

Note that some nuts and washers, normally hidden behind other components, have been moved into view to improve the clarity of the drawing.

33
2

| IPN/ Product Code | Legend | Description |
|----------------------|--------|---------------------------------------|
| T800-22-0004 | 1 | Rack, Loom Option |
| T800-40-0001 | 2 | T800 Blank Panel With Fitting Kit |
| T800-41-0002 | 3 | T800 Double Guide Kit |
| T800-45-0000 | 4 | T800 PA Guide Kit |
| T800-40-0000 | 5 | T800 Fitting Kit Only For Blank Panel |
| T800-44-0000 | 6 | T800 PS Guide Kit |
| 340-00010-22 | 7 | Fuseholder 30A Panel Mtg |
| 340-00011-50 | 8 | Cover, Fuseholder, Insulating |
| 356-00010-61 | 9 | Earthing Terminal |
| T800-15-0000 | 10 | Speaker Panel |
| T800-50-0000 | 11 | Standard Rack Backplane PCB Assembly |

**Standard Rack Frame With Backplane PCB
T800-22-0000 Mechanical Assembly**



Key

The upper number is the component identification number which appears in the "Legend" column of the Mechanical & Miscellaneous Parts table shown below (and on each of the following drawings).

The lower number indicates how many of this component are used in this location or function.

Note that some nuts and washers, normally hidden behind other components, have been moved into view to improve the clarity of the drawing.

| IPN/ Product Code | Legend | Description |
|----------------------|--------|---------------------------------------|
| T800-22-0004 | 1 | Rack, Loom Option |
| T800-40-0001 | 2 | T800 Blank Panel With Fitting Kit |
| T800-41-0002 | 3 | T800 Double Guide Kit |
| T800-45-0000 | 4 | T800 PA Guide Kit |
| T800-40-0000 | 5 | T800 Fitting Kit Only For Blank Panel |
| T800-44-0000 | 6 | T800 PS Guide Kit |
| 340-00010-22 | 7 | Fuseholder 30A Panel Mtg |
| 340-00011-50 | 8 | Cover, Fuseholder, Insulating |
| 356-00010-61 | 9 | Earthing Terminal |
| T800-15-0000 | 10 | Speaker Panel |

**Standard Rack Frame Without Backplane PCB
T800-22-0002 Mechanical Assembly**